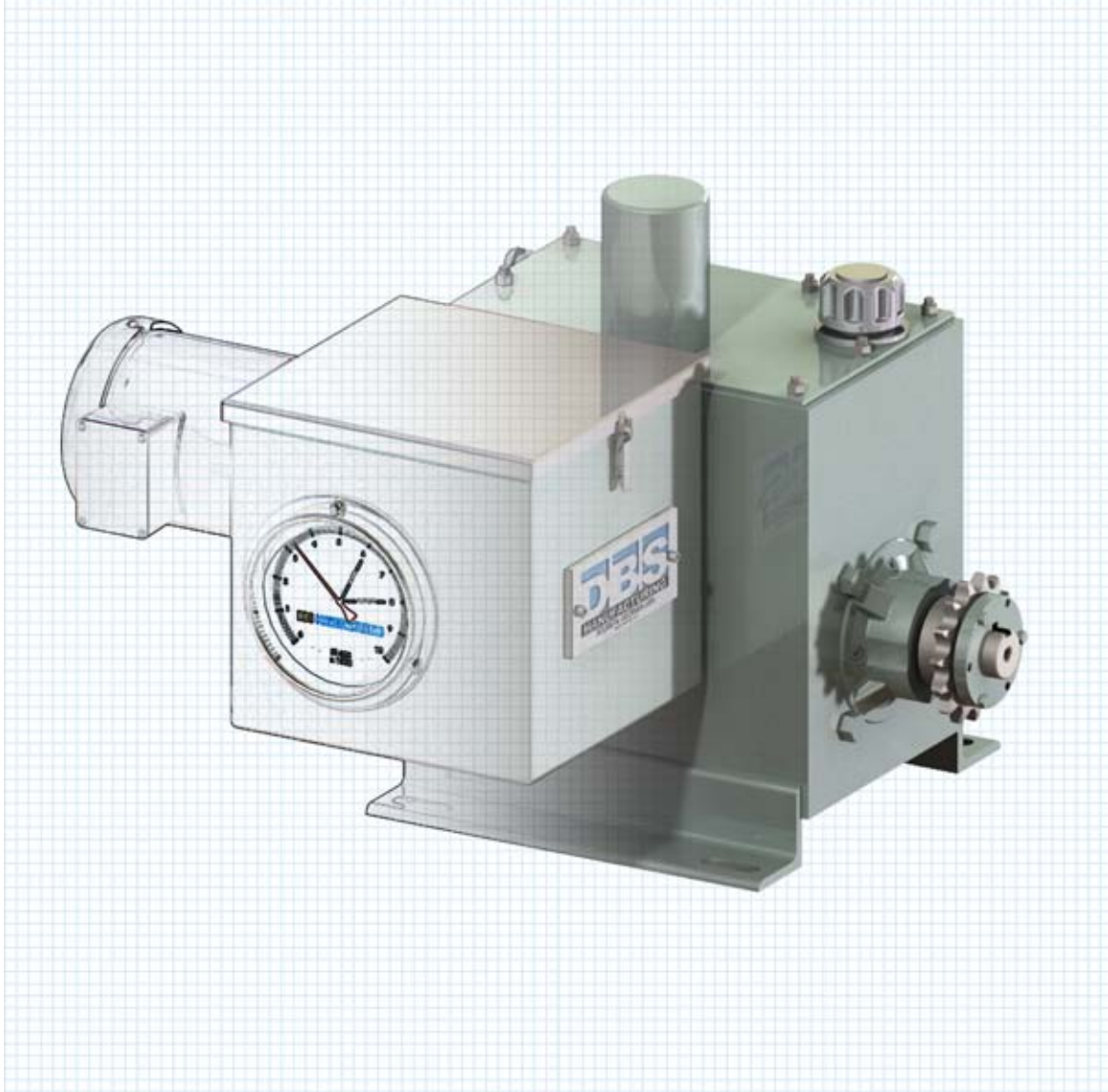


Custom Drive Units



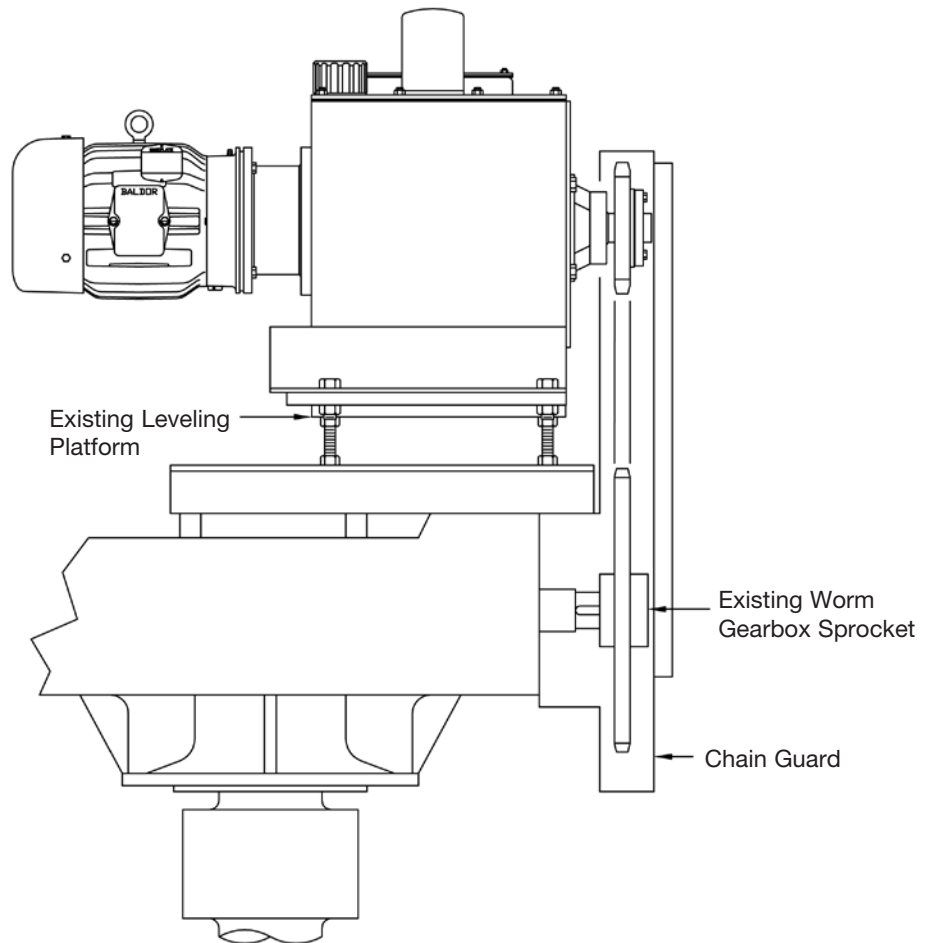
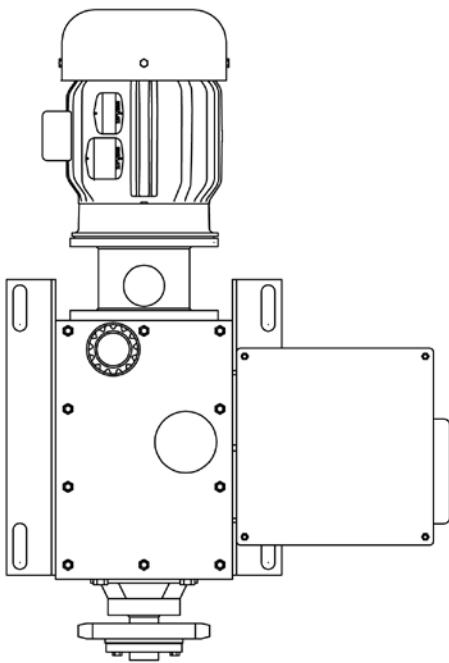
DBS MANUFACTURING®

Fluid Primary Drives



DBS manufactures custom drives for replacing worm and helical primary gear-motors used on old cast iron type clarifier and thickener drive units.

The DBS FP drive provides an accurate torque gauge, with optional 4-20mA transducer, and positive overload protection to prevent damage to the clarifier steel structures or thickener mechanism. These new features allow older equipment to operate more reliably in today's demanding environment.

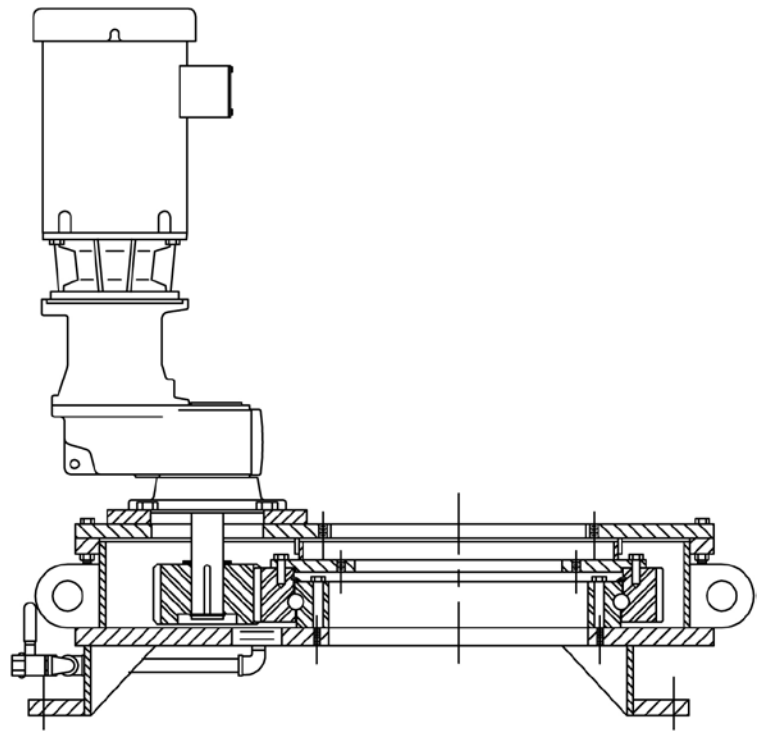
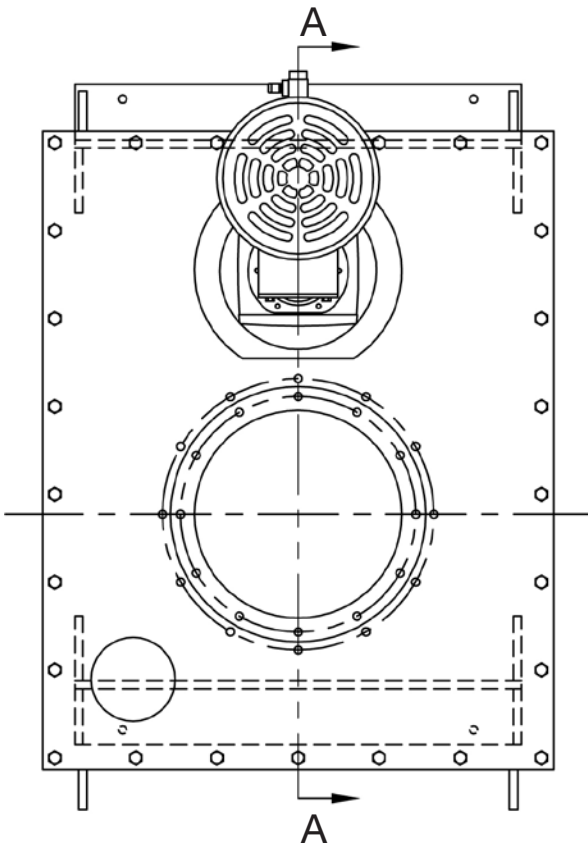


Grit Chamber Drives

DBS manufactures custom drives for applications such as flocculators, mixers, vacuum filters, rotating biological contact units, and other industrial applications.

DBS makes bolt-in retrofits for grit chamber drive units. These retrofits can put a more economical, reliable and more rugged DBS drive to work in your plant performing these important functions. Like all DBS products, these retrofit drive units are covered by exceptional warranties and our 24-hour “engineer on call” service.

DBS grit chamber drives are designed to replace drives on Smith & Loveless, Jones-Attwood, and other manufacturers’ grit removal system units.



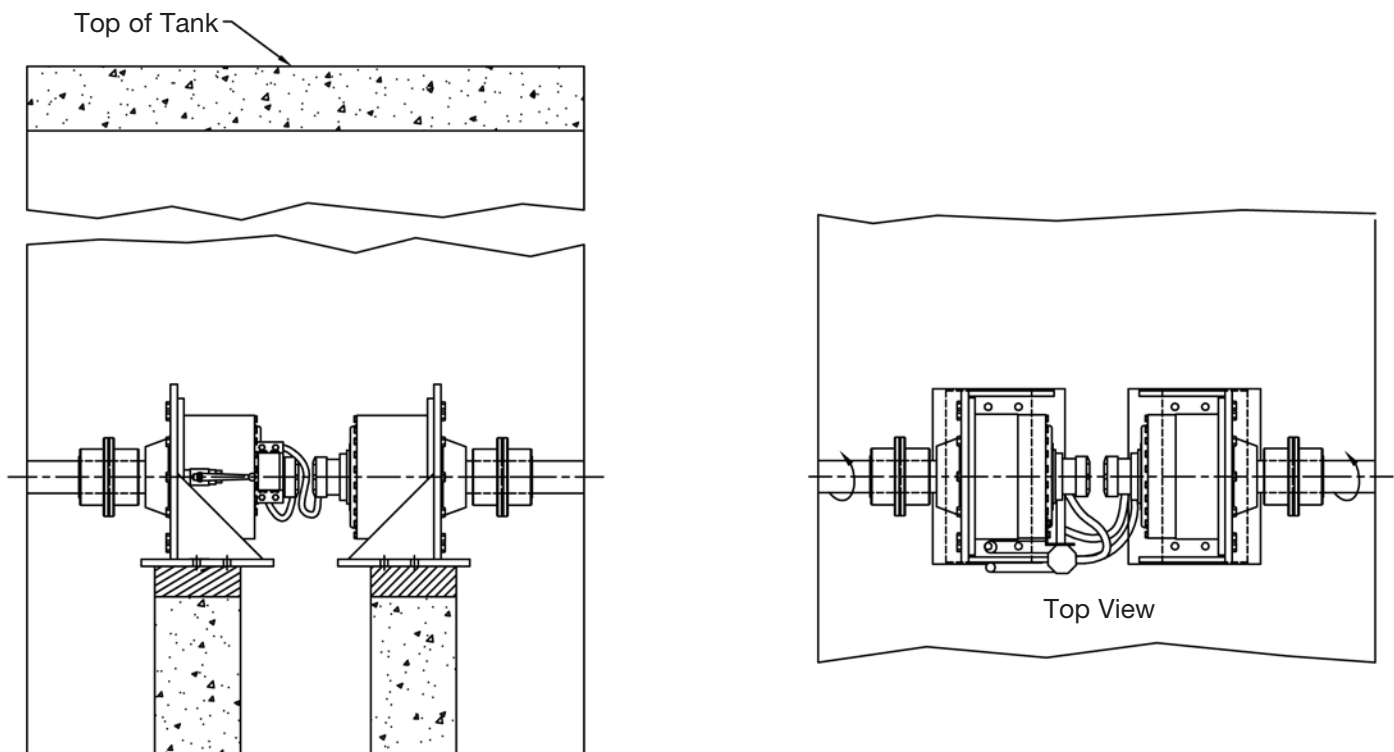
View A-A

Horizontal Flocculator Drives

DBS manufactures custom drives for applications such as flocculators, mixers, vacuum filters, rotating biological contact units, and other industrial applications.

DBS makes bolt-in replacements for flocculator drive units. These retrofits can put a more economical and more rugged DBS drive to work in your plant performing these important functions. Like all DBS products, these retrofit drive units are covered by exceptional warranties and our 24-hour “engineer on call” service.

DBS horizontal flocculator drives are rugged integral units that can be submerged for short periods of time without damage to the drive unit. These units are usually supplied with variable speed capabilities to fine tune the speed of rotation of the flocculator paddles. These units are provided for new installations and for upgrading and modernizing existing installations.

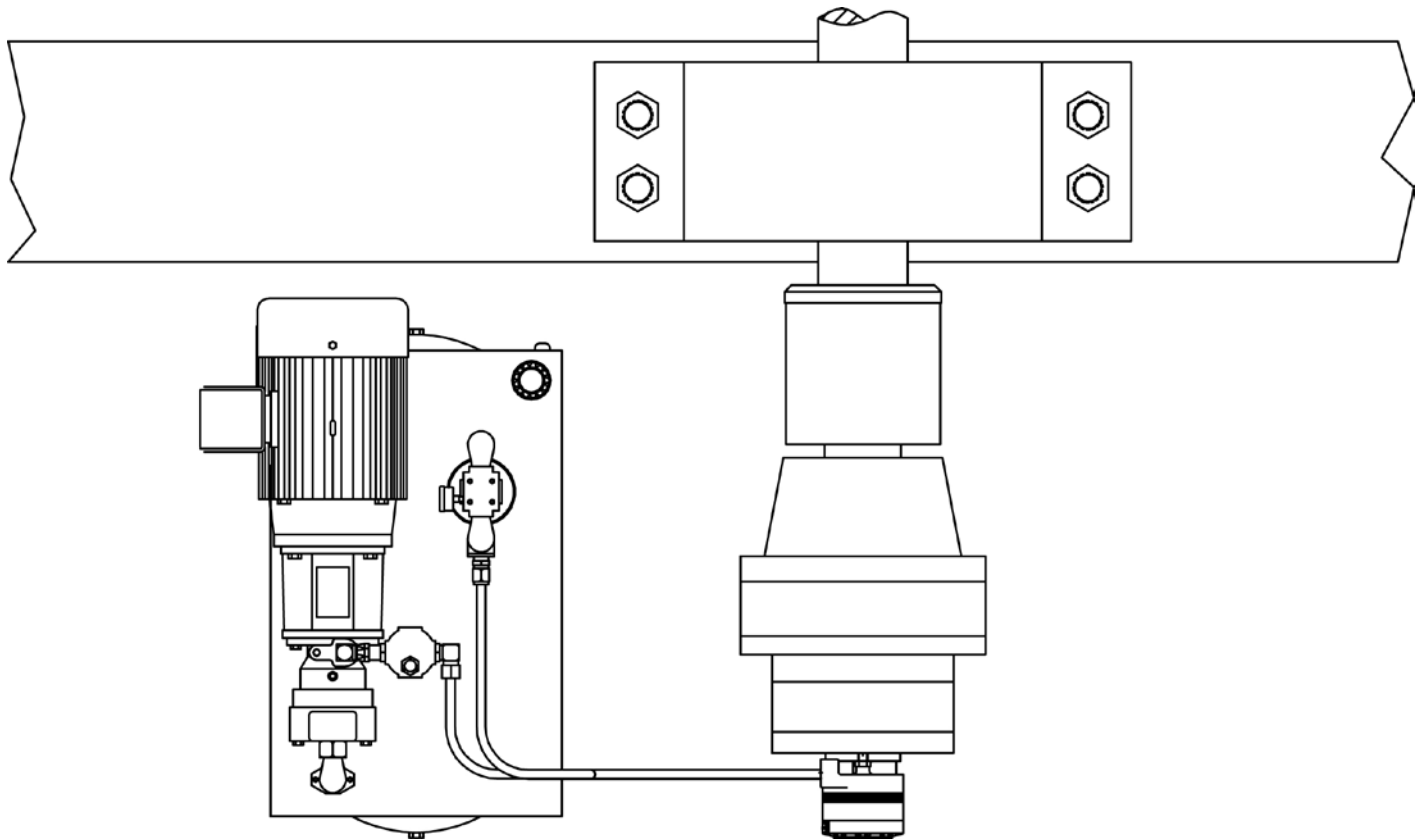


Rotating Biological Contact Drives

DBS manufactures custom drives for applications such as flocculators, mixers, vacuum filters, rotating biological contact units, and other industrial applications.

DBS makes bolt-in replacements for rotating biological contact units. These retrofits can put a more economical and more rugged DBS drive to work in your plant performing these important functions. Like all DBS products, these retrofit drive units are covered by exceptional warranties and our 24-hour “engineer on call” service.

DBS drives can replace the drives on Autotrol, Walker Process and other manufacturers’ rotating biological contact units. DBS drive units are hydraulically driven, permitting high-torque low-speed starting, which is particularly useful in getting the disks moving when initially they are out of balance. The hydraulic drive operates with low power, and one central power source can drive multiple disks. Lower operating cost and longer life are what you can expect from DBS drives.

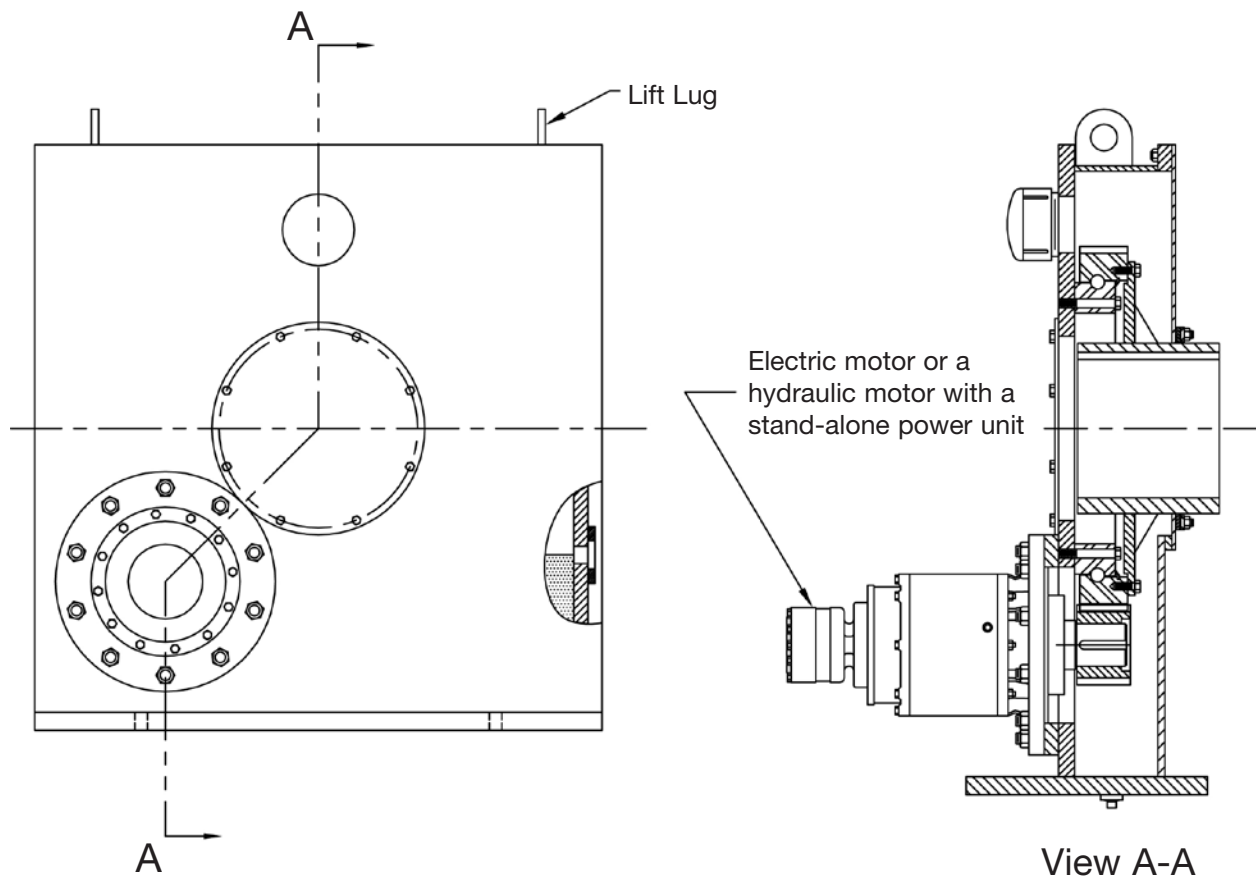


Vacuum / Drum Filter Drives

DBS manufactures custom drives for applications such as flocculators, mixers, vacuum filters, rotating biological contact units, and other industrial applications.

DBS makes bolt-in replacements for drum filter drive units. These retrofits can put a more economical and more rugged DBS drive to work in your plant performing these important functions. Like all DBS products, these retrofit drive units are covered by exceptional warranties and our 24-hour “engineer on call” service.

DBS vacuum or drum filter drives are designed to operate in rugged, demanding industrial applications such as in pulp & paper plants, chemical processing plants and alumina. DBS drives use steel spur gears, not bronze worm gears, and heavy-duty precision bearings for long life and reliability. These DBS drives typically are a “hollow-bore” design to allow vacuum, steam, or process lines to go through the drive and into the filter drum.





**Custom Drive Units
Fluid Primary Drive – Model FP-3A**

Clarifier & Thickener Drives

Retrofits

Low-Speed Surface Aerators

Rotary Distributor Center Mechanisms

DBS Manufacturing, Incorporated

45 SouthWoods Parkway, Atlanta, Georgia 30354 USA

404.768.2131 phone 404.761.6360 fax

www.dbsmfg.com email: engineering@dbsmfg.com